



LVWO WASTE OIL BOILER

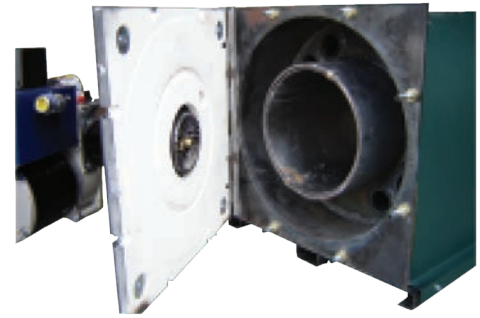
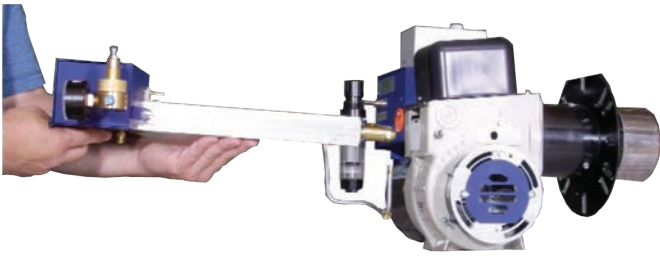


LVWO FEATURES

An economical hydronic heating system for...

- Truck and auto repair facilities
- Quick lube shops
- Transmission repair facilities
- Greenhouses, sheds, barns
- Floor or radiant heat applications





At the heart of all our waste oil boilers is the patented Shenandoah burner with its easy-to-clean patented slide-out gun assembly and quick-disconnect. This industry-recognized and time-proven burner incorporates the latest flame control technology and high-voltage multi-try ignition.

Burner swing door and rear cleanout allow quick and convenient maintenance with cleaning tool included.

**RECYCLE YOUR USED CRANKCASE OIL, TRANSMISSION FLUID, HYDRAULIC FLUID.
ALSO BURNS #1 & #2 FUEL OIL.**

SPECIFICATIONS & DATA

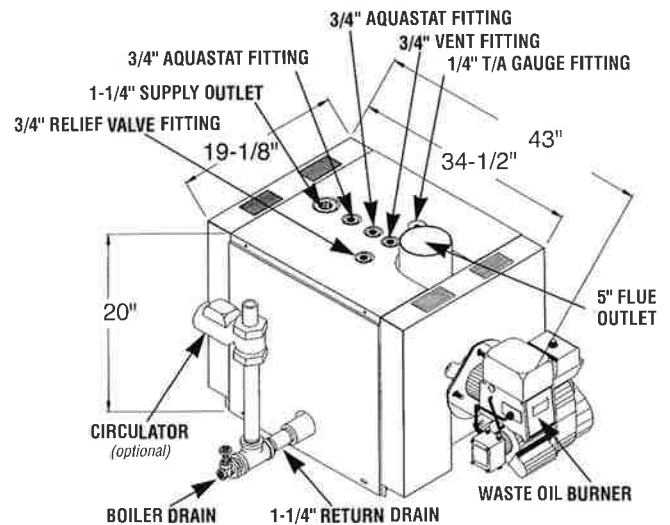
Boiler Model	LVWO
Firing Rate gph	.5 - 1.3
Input BTU/hr (max)	70,000-180,000
Gross Output BTU/hr. (max)	56,000-144,000
Water Content gal.	8
Boiler Shipping Wt. Lbs.	490 lbs.
Compressed Air Requirement @ 40 psi	2 CFM
Electrical Requirements	115/60 15 amp

STANDARD EQUIPMENT

- ASME Boiler
- ASME Relief Valve
- Boiler Drain Valve
- Waste Oil Burner with Primary Control
- Dip Tube Supply Fitting For Air Elimination
- Oil Pump and Filter Kit
- Insulated Flush Jacket
- Theraltimeter Gauge
- Cleaning Brush
- Operating and Manual High-Limit Aquastat with Manual Reset

OPTIONAL EQUIPMENT

- Circulator
- Oil Storage Tanks
- Circulator Relay
- Draft Regulator
- Boiler Stand
- Indirect Water Heater



INTENDED FOR COMMERCIAL USE ONLY!



Manufactured in the USA by
Pottstown Engineered Products, Inc.
 390 Old Reading Pike, Pottstown, PA 19464
 (610) 323-3477 • FAX (610) 323-3977
 www.pepboiler.com



DAS 2660
7/24